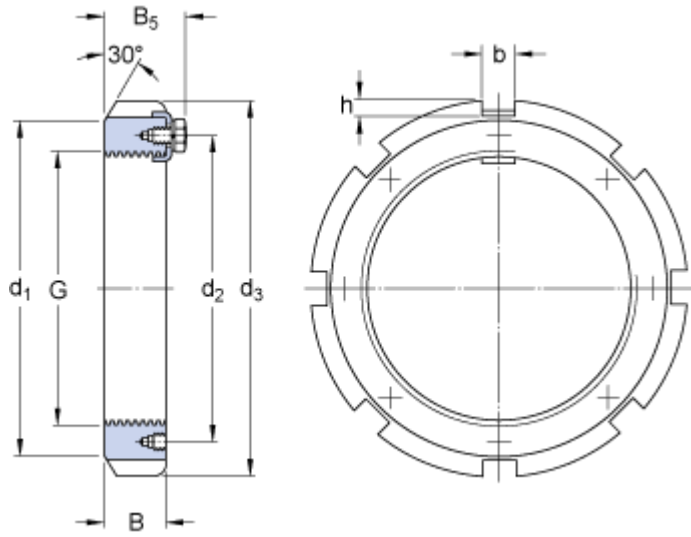


HM 3164

Dimensions



G	Tr 320x5	
d ₃	400	mm
B	42	mm
d ₁	360	mm
d ₂	346	mm
B ₅	56	mm
b	24	mm
h	12	mm

Mass

Mass lock nut	13	kg
---------------	----	----

Mounting information

Appropriate spanner	TMFN 52-64
---------------------	------------

Appropriate products

Locking clip	MS 3164
--------------	---------